

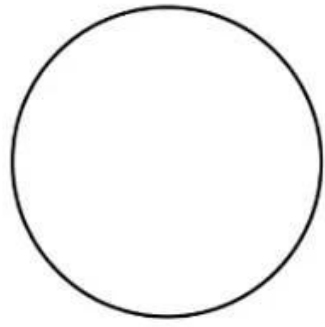
Factory Information

Factory Size:	3,000-5,000 square meters
Factory Country/Region:	Floor 2-4, E Building, Yongda Industrial Zone, No.14 Rongfu Road, Guanlan, Longhua New District, Shenzhen, 518110
No. of Production Lines:	6
Contract Manufacturing:	OEM Service Offered, Design Service Offered, Buyer Label Offered
Annual Output Value:	US\$50 Million - US\$100 Million

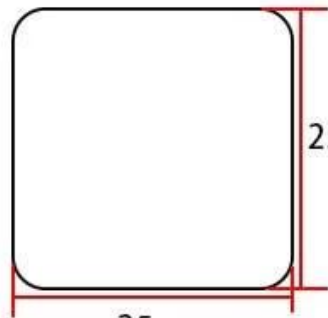


RFID Anti-metal Tags Specifications:

Item:	Mifare 1K Anti-metal Tag
Material:	PVC PET Coated paper Microwave absorbing material
Chip:	Mifare 1k, Ntag213, Ntag215, Ntag216, etc.
Frequency:	13.56MHz
Protocol:	ISO14443A, ISO15693
Color:	Customizable
Size:	Custom
Reading distance:	0-10cm
Write Endurance:	100000 times
Working Temperature:	-25°C to 65°C
Data Retention Time:	10 years
Printing Options:	Silk-screen printing, Laser Engraving, CMYK full color, Pantone, etc.
Crafts Available:	Logo or number printing, Bar code, QR code, etc.
Samples:	Free samples are available upon request

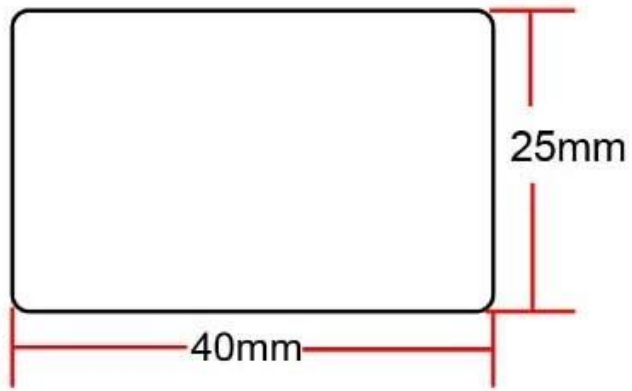
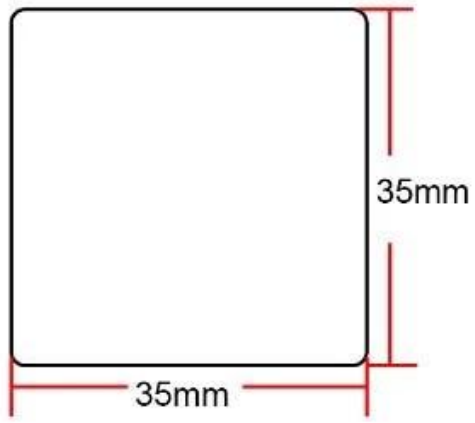


$\Phi 30\text{mm}$



25mm

25mm





Home Network

3M
3M

