

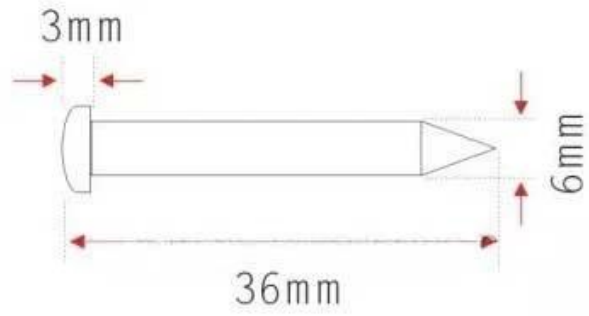
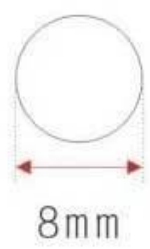
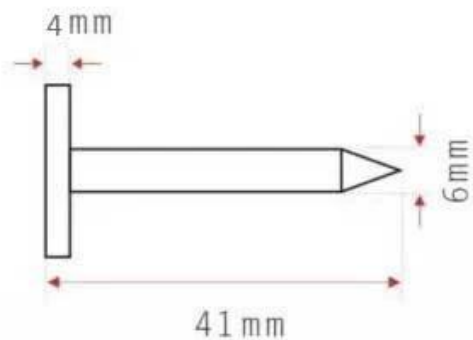
ABS Tree Nail RFID Tag Features:

RFID tree nail tag is a kind of tag that can internally encapsulate chip of low frequency, high frequency, and ultra-high frequency. It is packaged in a rugged ABS plastic shell. Appearance is small, it's strong and durable. Suitable for installation in cement products, plastic products, wood products, etc.



ABS Tree Nail RFID Tag Specifications:





Product:	rfid tree nail tag
Material:	Special ABS material or customized
Size:	36*6mm, 40*10mm, 41*28mm(can be customized)
Frequency:	125KHz, 134.2KHz, 13.56MHz, 860-960MHz
Chip:	LF: EM4200, TK4100, T5577, HiTag1, HiTag2; HF: FMIIRF08, MIFAREL S50, MIFAREL S70, ULTRALIGHT, NTAG213, I-CODE 2, TI2048, SRI512; UHF: UCODE GEN2, ALIEN H3, IMPINJ Monza 4QT
Read distance:	LF/HF: 1-3 cm; UHF: 50-60 cm(The actual reading distance depends on the chips and readers used by the customer and the application environment)
Weight:	1.25 g
Working temperature:	-40°C~+85°C
Storage temperature:	-55°C~+100°C

Craft:	encode, etc
Color:	black
Application:	Mainly suitable for all kinds of non-metal goods management, security inspection, military packaging, packaging identification, vehicle identification, park management, tree management and other asset identification management systems. Installed in cement products, plastic products, wood products, etc.
Minimum order quantity:	500 pieces
Sample:	Free sample is available for test
Packing:	100 pieces/box, 1000 pieces/carton
Delivery:	About 7 days
Brand name:	Chuangxinjia

ABS Tree Nail RFID Tag Application:





ABS Tree Nail RFID Tag Packing Details:



Rfid nail tag



100pcs per box



1000pcs per carton



Outer carton package

Our company and factory

Company Introduction

Office

3,000 m² office, 250+ professional sales service you!



Shenzhen Great Creativity Smart Card Co.,Ltd.

Factory

12,000m² clean work shop, more than 500 staffs, strict QC system, full set of advanced machines for all kinds of crafts production, ensuring each order will be taken cared fast and well.

